

# WEIL 1 1/4-Inch Submersible Wastewater Pump

# 1408



Heavy duty pump for residential and commercial applications.  
Pump clear water and gray water with solids up to 1/2-inch diameter.

Disch. Size 1 1/4 Inch  
Disch. Type NPT  
Solids Max. 1/2 Inch  
Mounting Style Floor

### Pump

- Case - Cast Iron
- Impeller - Cast Iron
- Strainer - 304 Stainless Steel
- Stainless Steel Hardware

### Options

- Bronze Impeller
- Additional Power Cable Lengths
- Stainless Steel Lifting Cable
- High Temperature Motor

### Motor

#### Single Seal

- Carbon against Ceramic

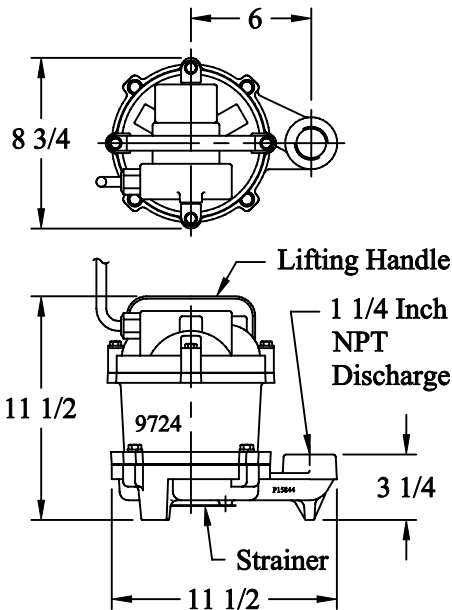
#### Air-Filled Hermetically Sealed Shaft - Stainless Steel Series 300

- Motor Shell - Cast Iron
- Insulation - Class F
- Ball Bearings - 2 - Double Sealed
- Power Cable Length - 15 ft with 3 conductor grounded plug
- Single-phase capacitor start motor
  - 1750 RPM, 60 Hz, 115 volts
  - Automatic reset thermal and overload protection

Capacities - Wet Wells		
Dia or Side Inches	Gallons per Foot of Depth	
	Round	Square
18	13	17
24	24	30
30	37	47
36	53	67
48	94	120
60	147	187
72	212	269

Flow - To prevent solids from settling out	
Discharge Pipe Size Dia Inches	Minimum Flow GPM
1 1/4	10
1 1/2	15
2	25

**Good wet well design**  
Maximum 10 starts per hour.  
Minimum run time - 1 1/2 minutes.



Impeller curve is Non-Overloading at any point on curve.

