



Residential and commercial applications.
 Pump clear water, gray water, effluent and wastewater with solids up to 2 inch diameter.

Disch. Size 2 Inch
 Disch. Type NPT
 Solids Max. 2 Inch
 Mounting Style Floor

Pump

- Case - Cast Iron
- Impeller - Cast Iron
- Stainless Steel Hardware

Options

- Stainless Steel Lifting Cable

Motor

Single Seal

- Carbon against Ceramic

Air-Filled Hermetically Sealed

Shaft - Stainless Steel Series 300

Motor Shell - Cast Iron

Insulation - Class F

Ball Bearings - 2 - Double Sealed

Three-phase motor

- 1750 RPM
- 60 Hz, 208-230 or 460 volts
- Power Cable Length - 15 ft.

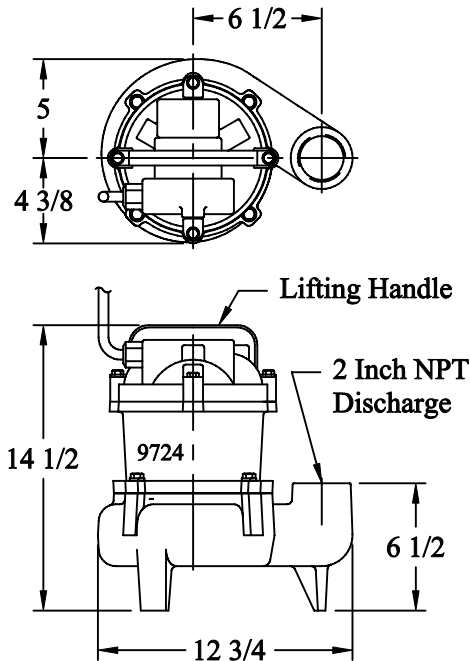
Single-phase capacitor start motor

- 1750 RPM,
- 60 Hz, 115 volts
- Power Cable Length - 15 ft. with 3 conductor grounded plug
- Automatic reset thermal and overload protection

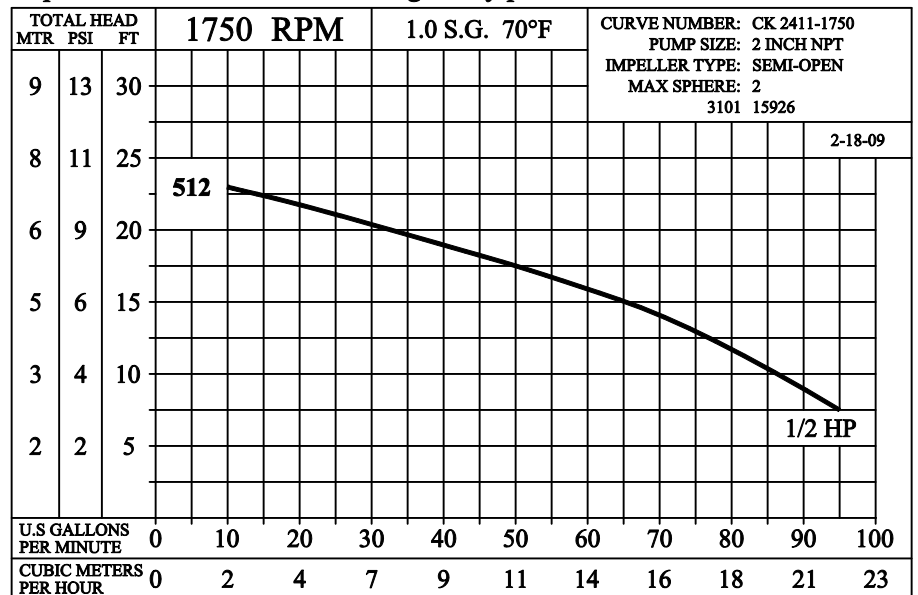
Capacities - Wet Wells		
Dia or Side Inches	Gallons per Foot of Depth	
	Round	Square
18	13	17
24	24	30
30	37	47
36	53	67
48	94	120
60	147	187
72	212	269

Flow - To prevent solids from settling out	
Discharge Pipe Size Dia Inches	Minimum Flow GPM
1 1/2	15
2	25
3	50

Good wet well design
 Maximum 10 starts per hour.
 Minimum run time - 1 1/2 minutes.



Impeller curve is Non-Overloading at any point on curve.



How To Order: Specify Model number, Phase and Volts

